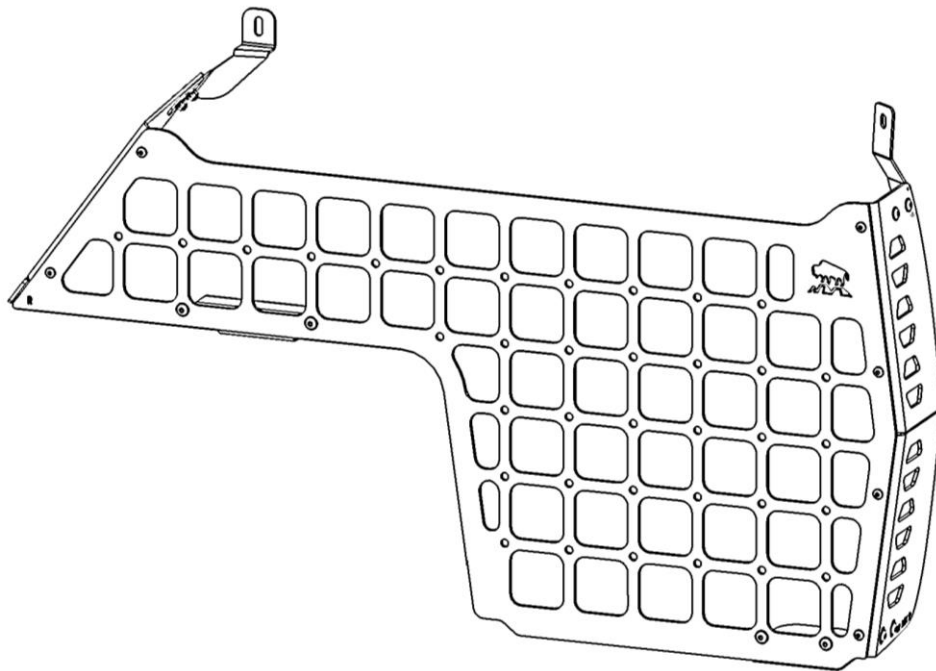




BISON GEAR

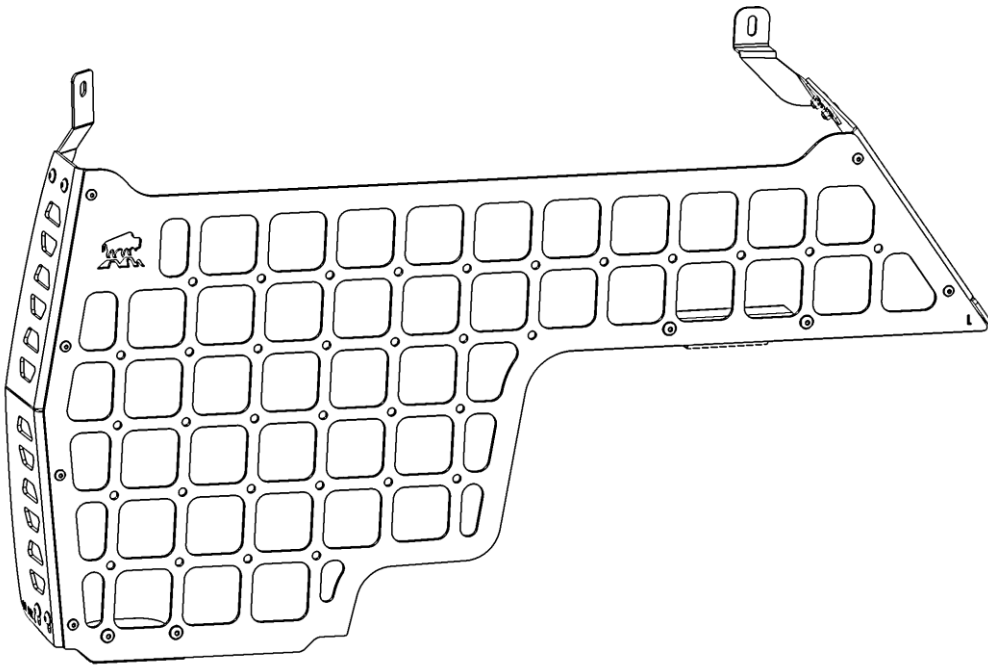
Cargo Basket 4Runner 5th Gen Installation guide

BOX-4R5G-LEFT; BOX-4R5G-RIGHT





BISON GEAR

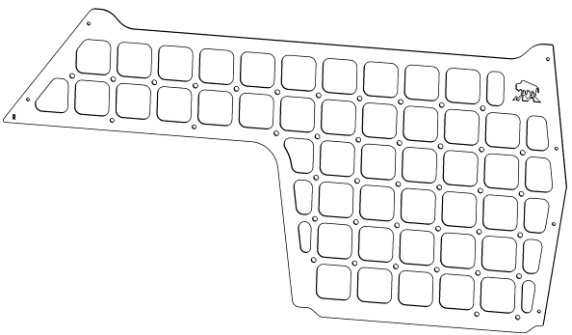


Before you start

Before installation:

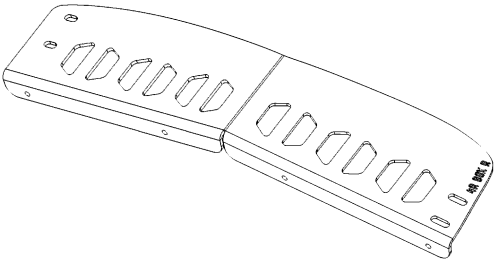
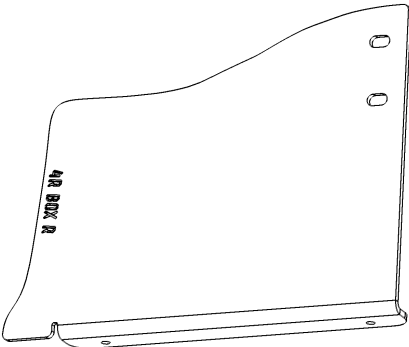
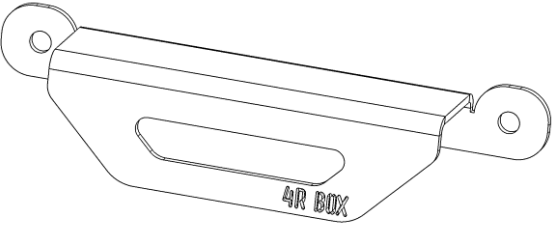
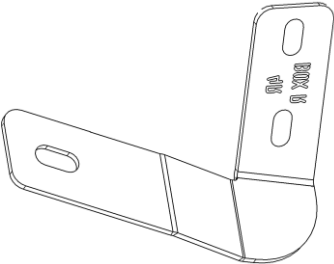
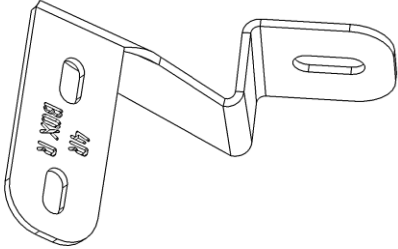
- Familiarize yourself with these instructions.
- Ensure that all listed parts and hardware are included in the package.
- Gather the required tool.

Part list - BOX-4R5G-RIGHT

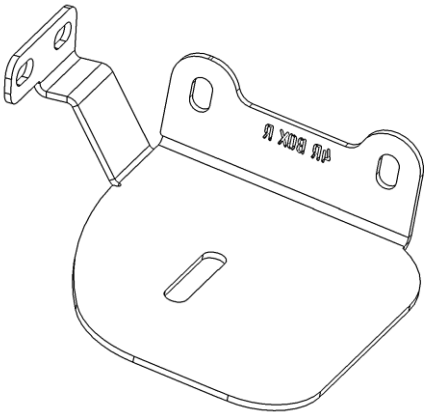
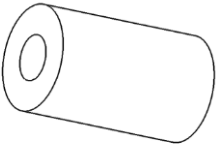
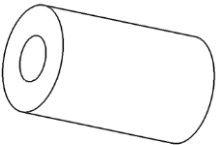
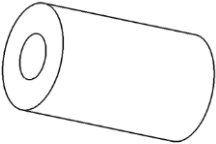
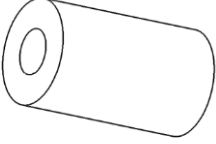
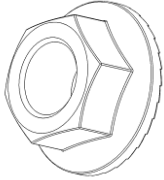
LP	PART	QTY	IMAGE
1	Front panel -R	1	



BISON GEAR

2	Back cover - R	1	
3	Front cover - R	1	
4	Side bracket	1	
5	Back mounting bracket - R	1	
6	Front mounting bracket - R	1	



7	Bottom mounting bracket - R	1	
8	Sleeve 6.5/15 H=10	1	
9	Sleeve 6.5/15 H=14	1	
10	Sleeve 6.5/15 H=25	1	
11	Sleeve 6.5/15 H=35	1	
12	Flange nut M4 DIN 6923	6	

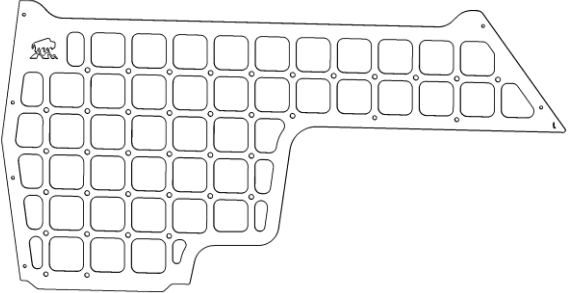
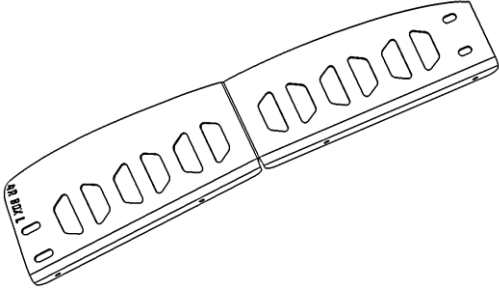
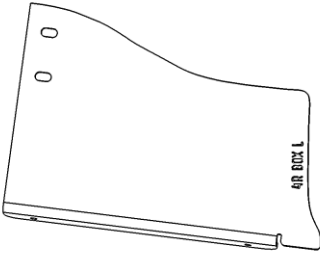
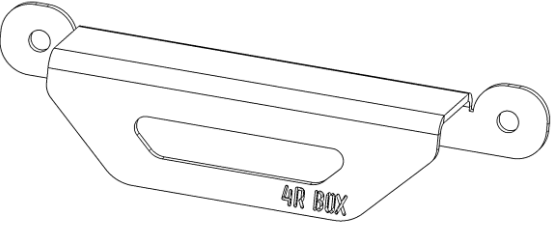
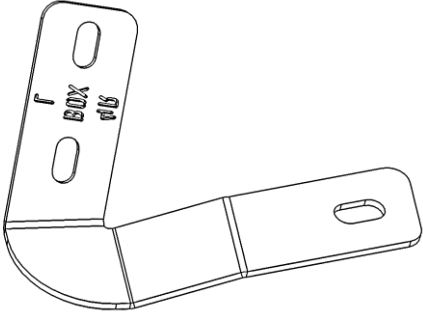


13	Flange nut M5 DIN 6923	8	
14	Flange bolt M4x10 ISO-7380-2	6	
15	Flange bolt M5x12 ISO-7380-2	8	
16	Flange bolt M6x45 ISO-7380-2	3	
17	Rubber seal	0.1 mb	

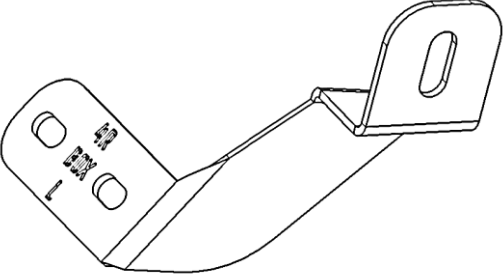
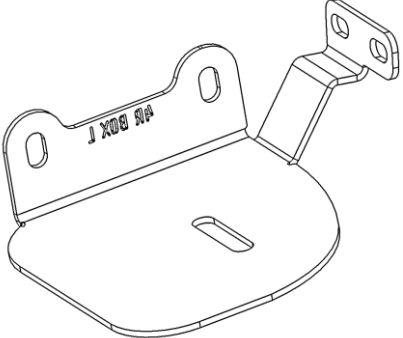
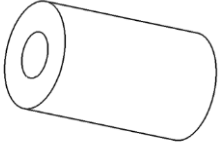
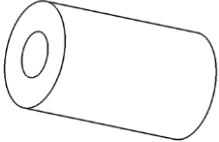
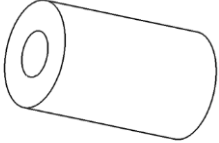
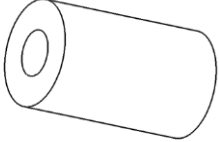
 **Part list - BOX-4R5G-LEFT**

LP	PART	QTY	IMAGE
-----------	-------------	------------	--------------



<p>1</p>	<p>Front panel -L</p>	<p>1</p>	
<p>2</p>	<p>Back cover - L</p>	<p>1</p>	
<p>3</p>	<p>Front cover - L</p>	<p>1</p>	
<p>4</p>	<p>Side bracket</p>	<p>1</p>	
<p>5</p>	<p>Back mounting bracket - L</p>	<p>1</p>	



6	Front mounting bracket - L	1	
7	Bottom mounting bracket - L	1	
8	Sleeve 6.5/15 H=10	1	
9	Sleeve 6.5/15 H=14	1	
10	Sleeve 6.5/15 H=25	1	
11	Sleeve 6.5/15 H=35	1	



12	Flange nut M4 DIN 6923	6	
13	Flange nut M5 DIN 6923	8	
14	Flange bolt M4x10 ISO-7380-2	6	
15	Flange bolt M5x12 ISO-7380-2	8	
16	Flange bolt M6x45 ISO-7380-2	3	
17	Rubber seal	0.1 mb	



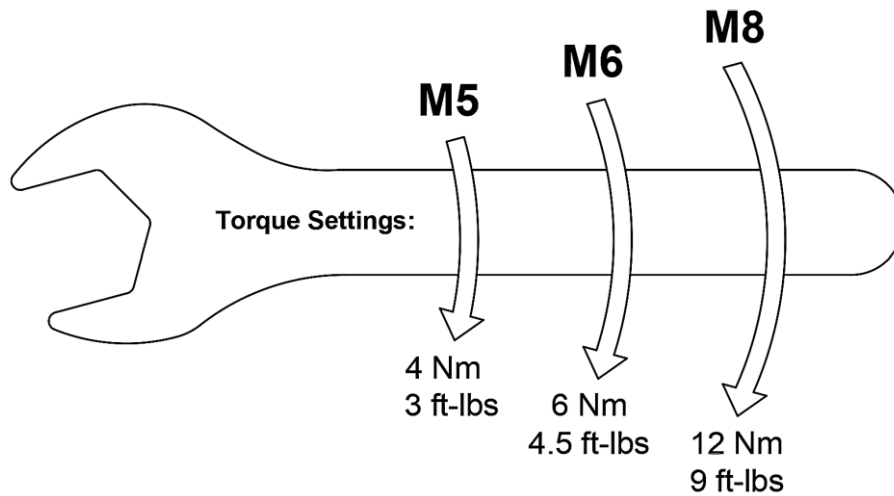
List of necessary tools¹:

- 7 mm wrench
- 8 mm wrench
- 2.5 Allen key (HEX)
- 3 Allen key (HEX)
- 4 Allen key (HEX)

Torque settings:

During assembly, use the recommended tightening torques for screw, unless other parameters are specified for a given connection.

¹ NOTE: The tools **are not** the part of the set.
bison-gear.com



Installation:

The trunk baskets are designed to utilize the side spaces of the trunk that are normally unused. They provide additional storage space for packing extra items for your expedition, keeping everything organized and easily accessible.

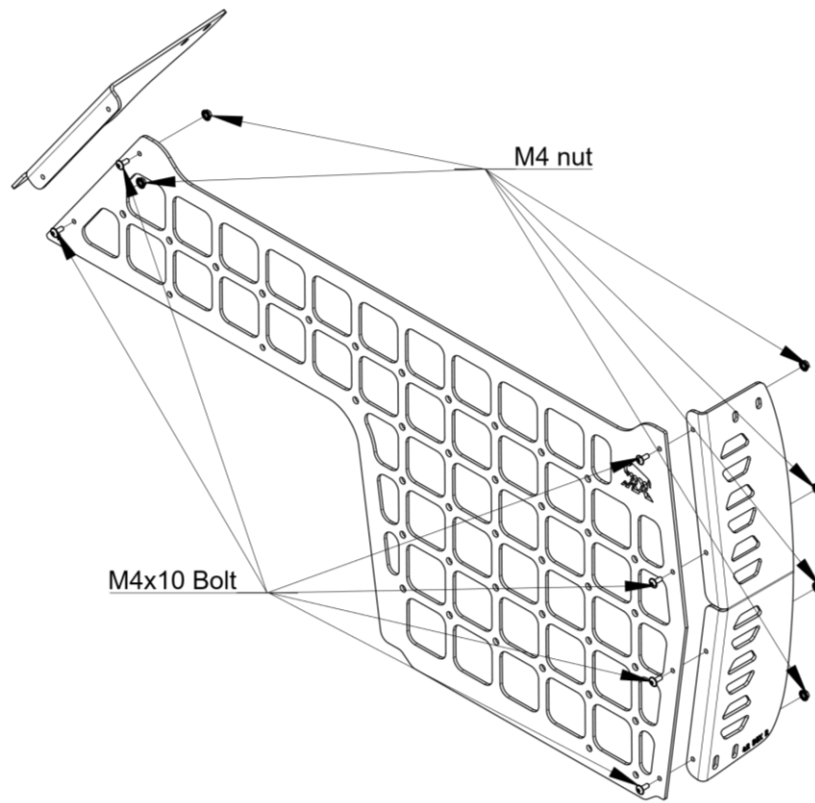
The example below describes the mounting process for the right-side basket. The installation process is the same for both sides; the left-side basket is a mirror look of the right side.

Follow the steps below to install product correctly:

1. Start by preparing the product parts and gathering the necessary tools.
2. At first, mount the front panel with the back and front cover using M4 bolts and M4 nuts.

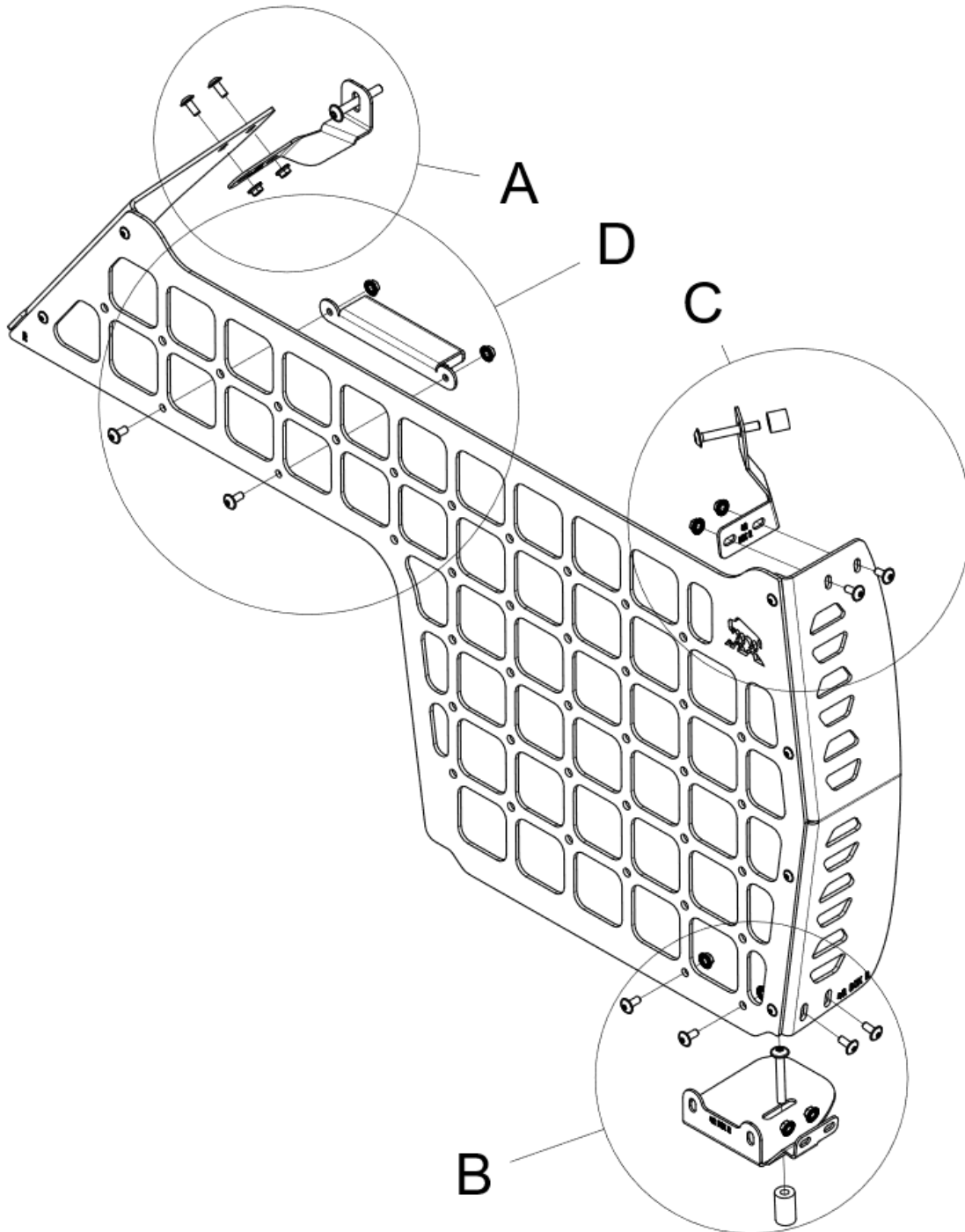


BISON GEAR





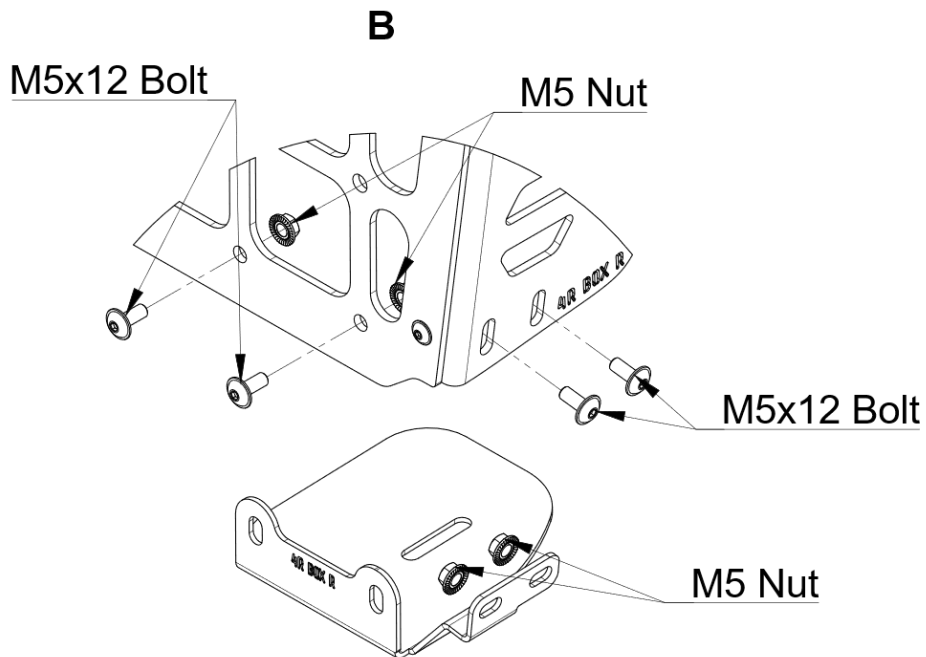
BISON GEAR



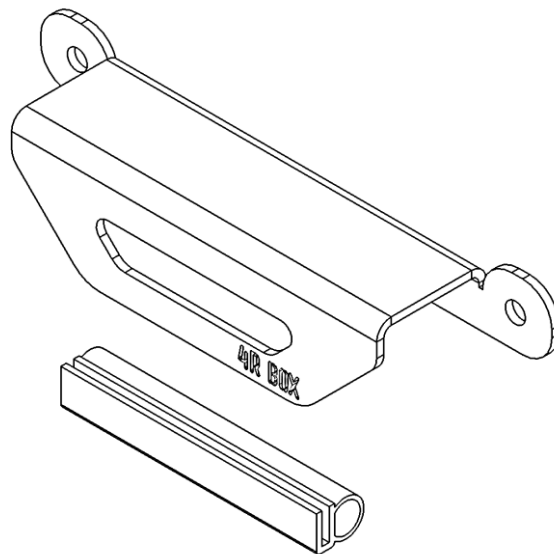
3. Pre-screw the bottom mounting bracket using M5 bolts and nuts.



BISON GEAR



4. Place the rubber gasket on the side bracket.

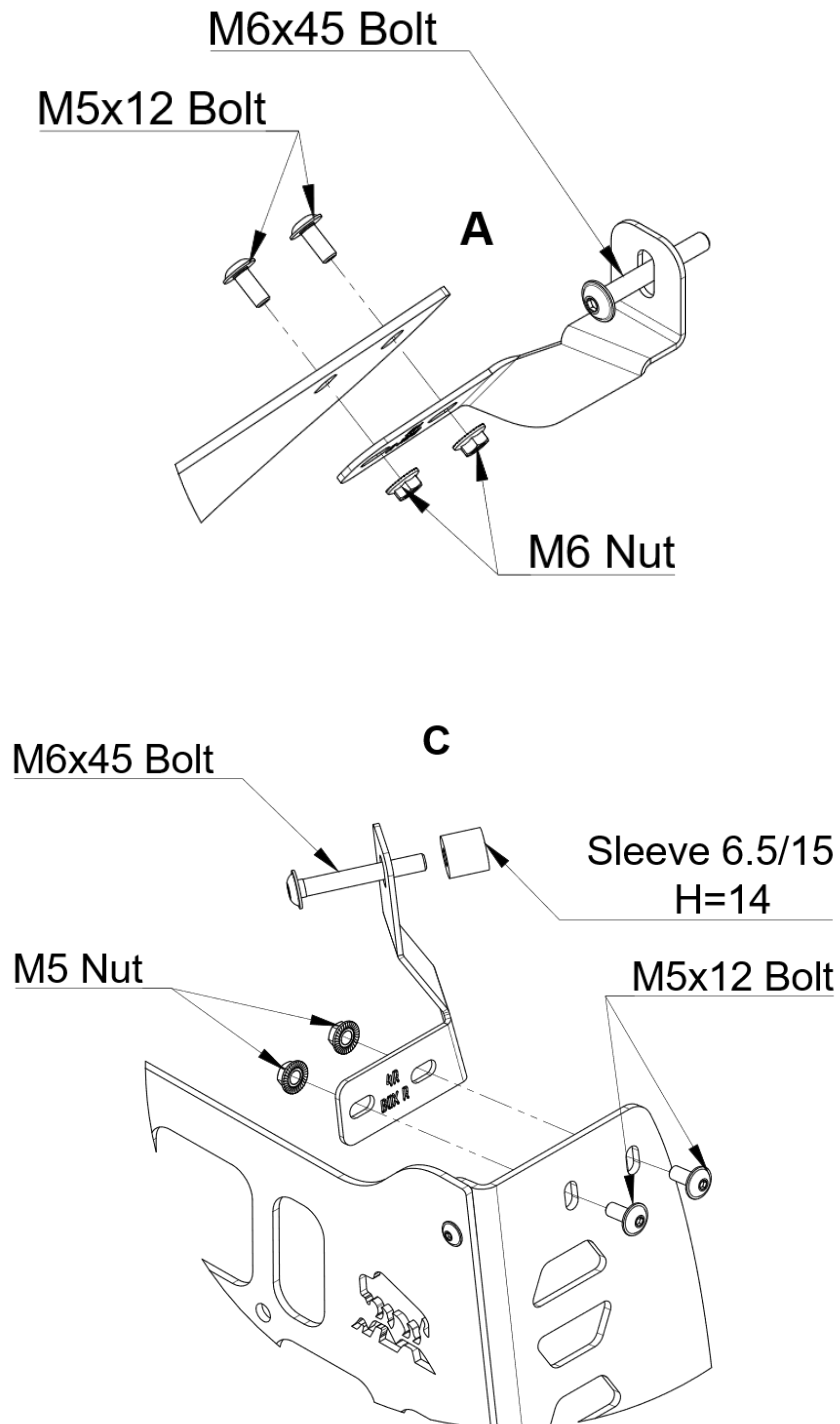


5. The installation process requires three mounting points: one on the floor (remove the factory tie-down hook along with the plastic cover), a second near the trunk door under the factory hook, and a third under the cargo blind socket.



BISON GEAR

6. Before placing the basket in position, it is recommended to pre-install the front and back brackets onto the vehicle body using M4×45 bolts and a sleeve (for the back bracket).





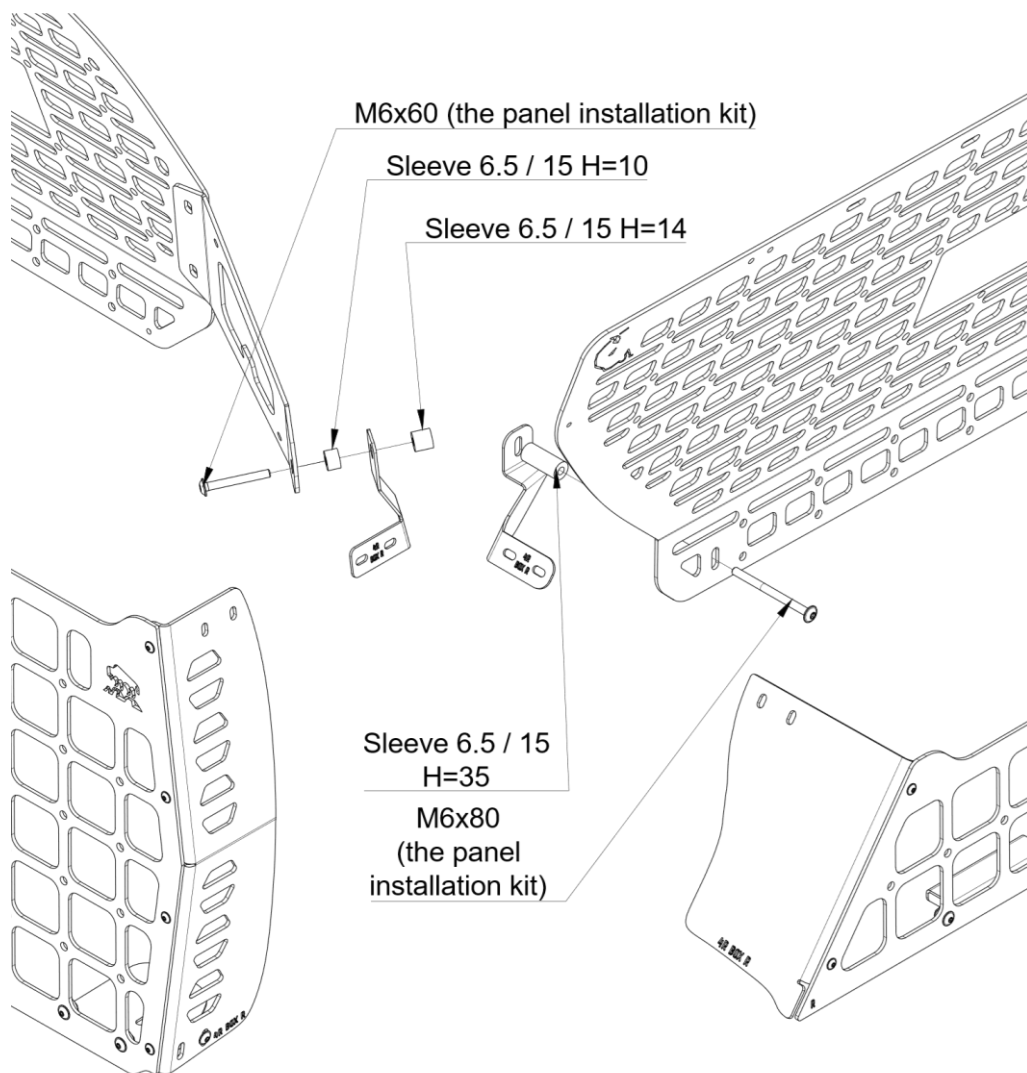
BISON GEAR

If you have a Bison Gear internal MOLLE panel, the point below describes how to connect it to the Bison Gear trunk box.

The upper bolts of the basket mounting points align with the MOLLE panel. Before mounting the front and the back bracket, remove both bottom bolts of the panel.

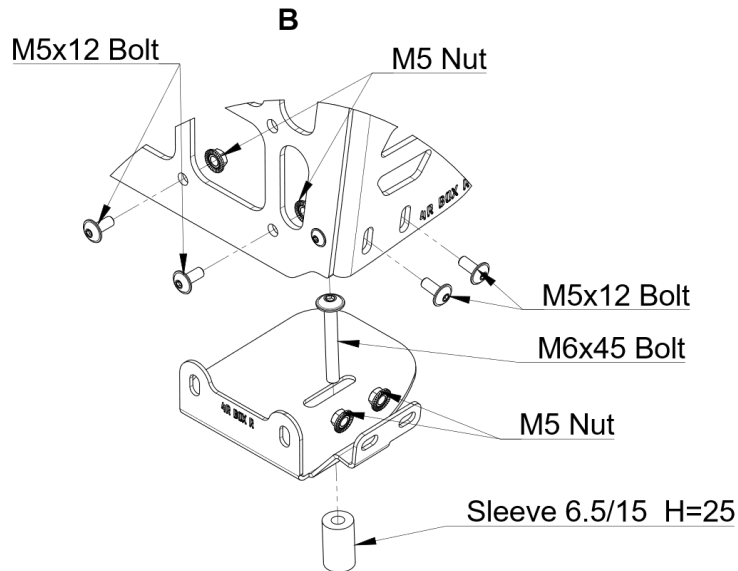
Next, place the trunk basket brackets under the window panel and insert all sleeves as shown in the diagram below.

Finally, place the panel back and pre-screw all the bolts..

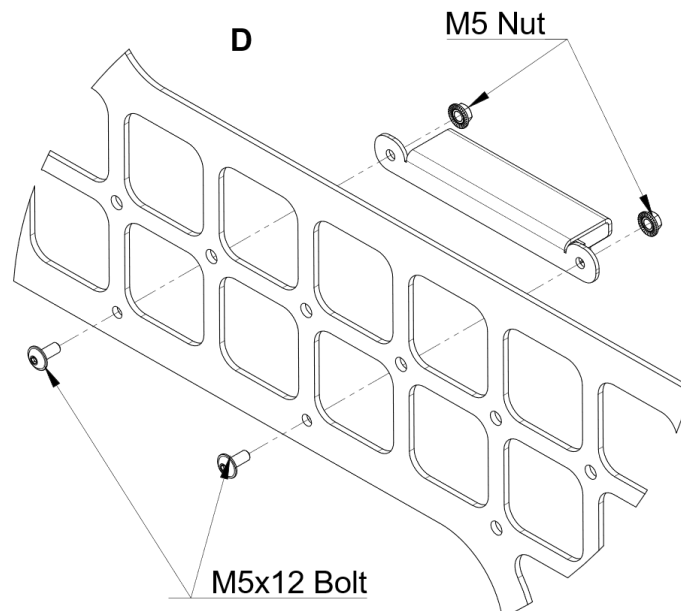




7. Then place the basket in position (remember to place the sleeve under the bottom bracket) and secure the brackets to the basket using M5 bolts and M5 nuts.



8. At least place and screw the previously prepared side bracket using M5 bolts and M5 nuts.



9. Regulate the position if it necessary and tighten all the bolts.



BISON GEAR

Make sure that everything is mounted properly, and all the bolts are tightened. If everything is correct, your work is done.

After driving 50km, check all the bolts and retighten them if necessary.

Have a great time with Bison Gear products!



Email: contact@bison-gear.com

Phone: **+48 505 642 981**