

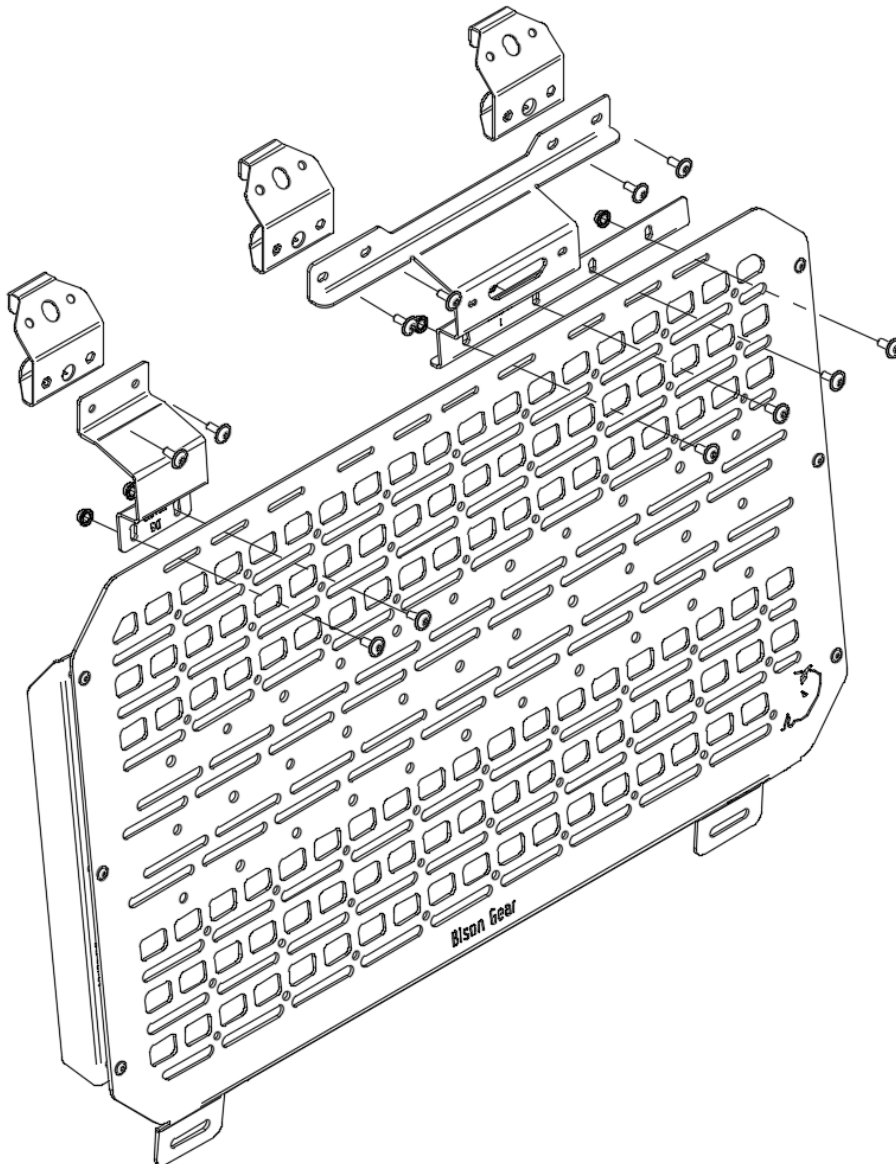


EN

INEOS Grenadier

External MOLLE Panel

GRND-EXT

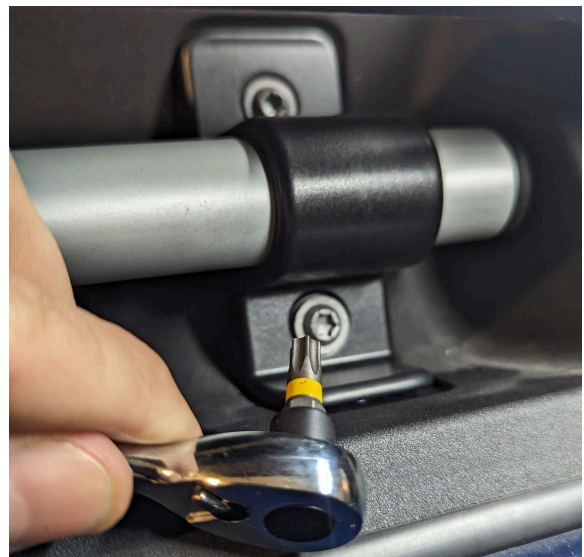




Installing Bison Gear Accessories Brackets

1. Remove both bolts holding factory clamp*

* install one clamp at a time





2. Reuse factory bolts and washer.
Place washer between bracket and factory clamp



3. Tighten the bolts.
4. Repeat for all three clamps.





Preassemble the panel

Right side of the car



Left side of the car





Attach a large bracket with 4 M6x12 screws and a small bracket with two M6x12 as shown on image below.
Do not tighten the bolts.



Attach the panel to the car. On top use 6 M6 bolts (two per bracket).
On the bottom use AirLine screws shown in the image.



Align the panel and tighten all bolts.
Install wind deflector on both sides of the
panel. Use M5 screws.



