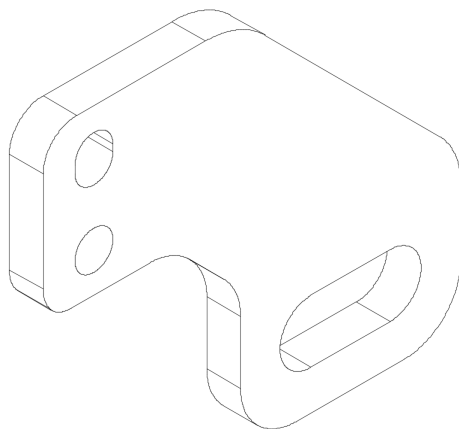




Doc v.1.1



[EN]

Uwaga!

Ze względu na konstrukcję pojazdu zawsze używaj dwóch punktów holowania połączonych taśmą lub łańcuchem. Zabezpiecza to ramę pojazdu przed odkształceniem oraz zwiększa bezpieczeństwo.

Przed każdym użyciem sprawdź czy śruby montażowe nie mają luzu oraz czy uchwyty nie zostały odkształcone.

Warning!

To prevent chassis bend and for safety reasons always use both towing points connected with bridge strap or chain.

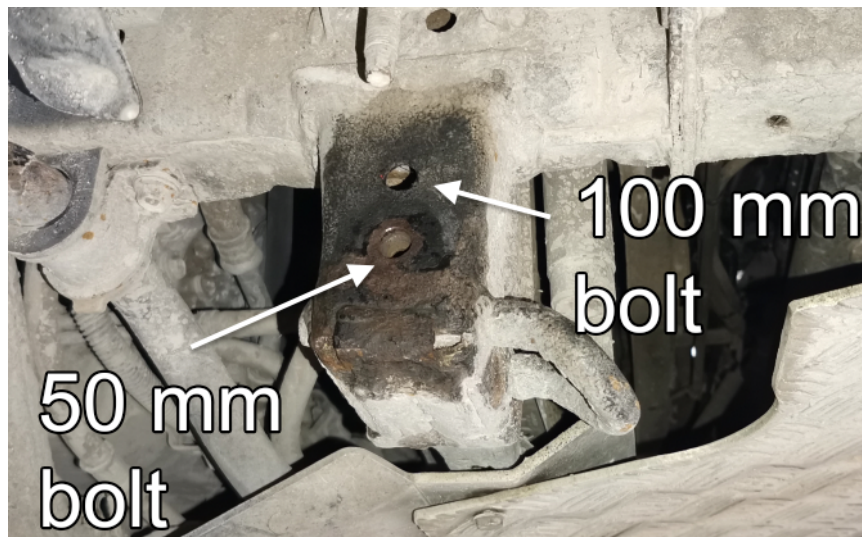
Before each use check bolts and potential damages on towing points.



Doc v.1.1

Land Cruiser 120 / GX470 tow point installation instructions

Towing points are installed in the front part of the car frame. It is **not** necessary to remove the radiator.

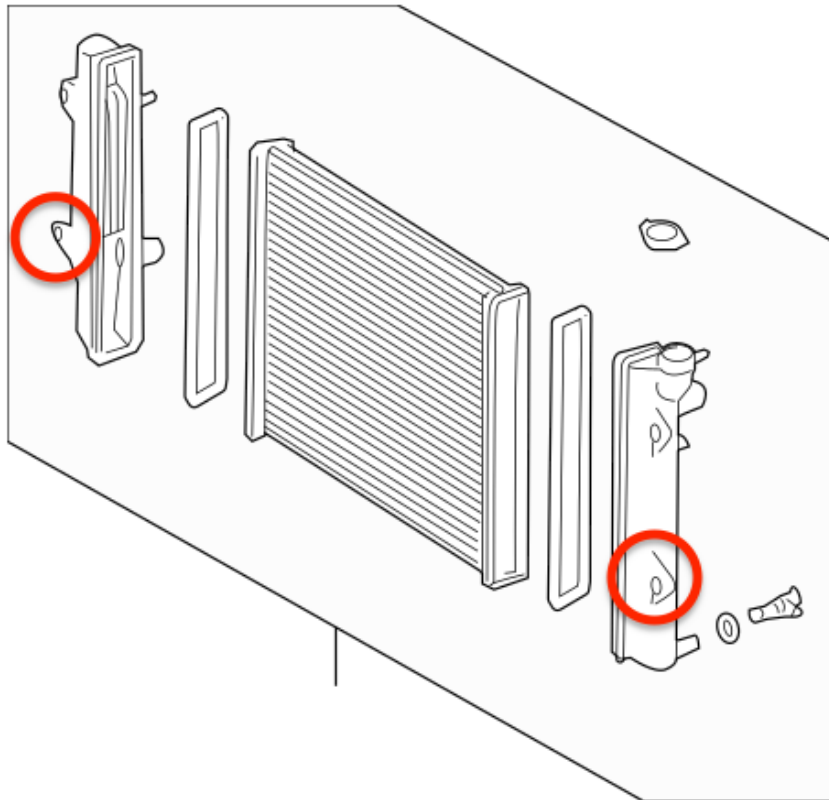


(fig. 1)

1. Clean the holes in the frame (fig. 1), clean the threads in the lower hole (you can use a scraper or a wire brush). After cleaning the thread, screw in and unscrew the 50 mm bolt.



Doc v.1.1



(fig. 2)

2. Unscrew the lower radiator mounts (two M6 bolts - 10 mm socket)
3. By inserting the upper fixing bolt (100 mm) from the inside (radiator side), check if the hole has the correct diameter, if the bolt does not pass through the frame, enlarge the hole with a 13 mm drill bit.
4. Place a flat washer on the bolt. Push the bottom of the radiator towards the engine, insert the 100mm bolts into the mounting holes. The screw head must be on the radiator side.
5. Place the recovery point on the top bolt, then the washer and screw on the nut (do not tighten it completely).
6. On the shorter bolt place split washer, flat washer and place it into the recovery bottom hole, screw it into the frame.
7. Tighten the upper and lower bolts with a torque in the range of 80-95 Nm.



Doc v.1.1

